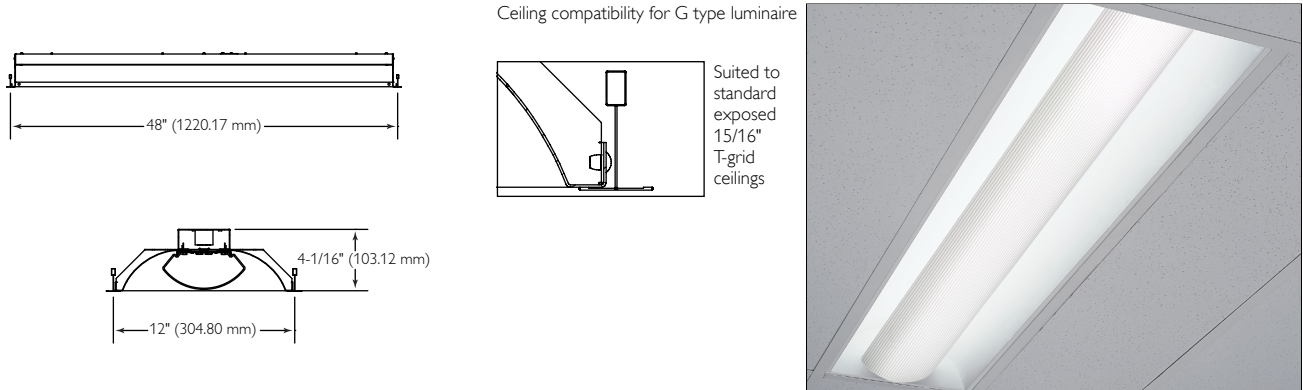


# Alter Concept Elegance Lens LED Ix4

1' x 4' direct/indirect recessed LED



## Ordering information

QCE	I4	G	OL	OP	Lumens	CCT	Voltage	Driver Type	Options
Family	Dimension	Ceiling Type	Lamp Shield						
Alter Elegance Lens LED	I4 = 1' x 4'	G = Fits standard 15/16" T-bar	OL = 100% Frost Acrylic Lens		32 = 3200 lm nominal 39 = 3900 lm nominal	35 = 3500K 40 = 4000K	U = 120/277V 3 = 347 <sup>1)</sup>	LAG = LED Driver DZT = 0-10V Dimming	
<b>Lamp Shield Details</b>									
OP = One piece lamp shield									

1) 347V requires deeper housing

## Features

- High performance curved opal lens provides soft, balanced, direct and reflected light
- Seamless welded form – curved top and side reflectors formed together without any gaps or visual barriers
- High performance LED technology delivers up to 3904 lm at 40W
- Multiple lumen outputs available to balance energy savings with lighting application needs
- Ideal for indoor general area lighting – offices, schools, retail and health care applications
- 80+ CRI and excellent colour consistency
- Provides 35-50% energy savings over 2-T5 (28W) fluorescent luminaires
- Long life LEDs provide 50,000 hours of rated life (L<sub>80</sub>)
- Predicted L70 lifetime based on LED manufacturer's supplied LM-80 data and in-situ laboratory testing
- Dimming option available

## Specifications

**Materials:** 20 gauge steel housing assembly.

**Finish:** 95% reflectance baked white acrylic matte paint finish.

**Shielding:** High performance contoured lens conceals lamp image providing balance between reflected and direct light.

**Electrical:** LED boards and drivers are RoHS (Restriction of Hazardous Substances) compliant. For dimming options, consult factory. LED array and driver accessible from below.

**Labels:** cCSAus

## Option/Accessories

**Electrical wiring options:** Consult factory

**Drywall kit:** Order Catalogue Number: FK9IX4

**Lens Replacement:** Order Catalogue Number: QCE24OLOP

**Emergency options:** Consult factory – requires a deeper housing

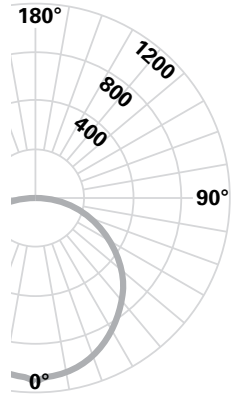
Job Information	Type:
Job Name:	
Cat. No.:	
Notes:	

# Alter Concept Elegance Lens LED **1x4**

1' x 4' direct/indirect recessed LED

## Performance

### CANDLEPOWER CURVE 3200 LM



### CANDLEPOWER

ZONE DEG	CANDLEPOWER				
	ALONG	22.5	45	67.5	ACROSS
0	1139	1139	1139	1139	1139
5	1134	1144	1148	1135	1108
10	1117	1128	1135	1124	1097
15	1086	1101	1108	1096	1071
20	1044	1059	1068	1061	1041
25	989	1006	1024	1020	998
30	924	945	968	967	948
35	847	872	904	909	894
40	763	790	833	844	832
45	672	703	755	772	763
50	578	611	672	696	691
55	490	518	586	615	611
60	403	428	501	530	524
65	322	344	415	429	416
70	243	268	324	315	299
75	173	194	227	203	185
80	109	122	132	106	94
85	53	56	52	39	36
90	0	0	0	0	0

REPORT NO: C12072  
 CAT. NO: QCE14GOLOP3240ULAG  
 Output: 3164 lumens at 4000K  
 Efficacy: 103.1 lm/W  
 Candela at Nadir: 1139cd

### COEFFICIENTS OF UTILIZATION

ZONAL CAVITY METHOD \* EFFECTIVE FLOOR CAVITY REFLECTANCE = .20

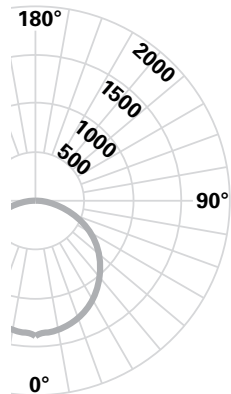
Room Cavity Ratio	80				70				50			
					Wall Reflectance							
	70	50	30	10	70	50	30	10	50	30	10	
0	1.19	1.19	1.19	1.19	1.16	1.16	1.16	1.16	1.11	1.11	1.11	
1	1.10	1.05	1.01	.98	1.07	1.03	.99	.96	.99	.96	.93	
2	1.01	.93	.87	.81	.98	.91	.85	.81	.88	.83	.79	
3	.92	.82	.75	.69	.90	.81	.74	.68	.78	.72	.67	
4	.85	.74	.66	.59	.83	.73	.65	.59	.70	.63	.58	
5	.78	.66	.57	.51	.76	.65	.57	.51	.63	.56	.50	
6	.72	.59	.51	.45	.70	.58	.50	.44	.56	.49	.44	
7	.66	.53	.45	.39	.65	.52	.44	.38	.51	.43	.38	
8	.62	.48	.40	.34	.60	.47	.40	.34	.46	.39	.34	
9	.57	.44	.36	.30	.56	.43	.35	.30	.42	.35	.30	
10	.53	.40	.32	.27	.52	.39	.32	.27	.38	.31	.27	

DETERMINED IN ACCORDANCE WITH CURRENT IES PUBLISHED PROCEDURES  
 LUMINAIRE INPUT WATTS = 30.7

### DISTRIBUTION

ZONE	LUMENS	%LUMINAIRE
0-30	883	27.91
0-40	1438	45.44
0-60	2512	79.39
0-90	3164	100.00
40-90	1726	54.56
60-90	652	20.61
90-180	0	0.00

### CANDLEPOWER CURVE 3900 LM



### CANDLEPOWER

ZONE DEG	CANDLEPOWER				
	ALONG	22.5	45	67.5	ACROSS
0	1401	1401	1401	1401	1401
5	1395	1407	1412	1400	1366
10	1374	1387	1396	1386	1354
15	1337	1353	1363	1352	1322
20	1285	1302	1314	1309	1285
25	1218	1238	1259	1257	1232
30	1137	1163	1191	1192	1170
35	1044	1073	1110	1120	1102
40	941	973	1023	1039	1027
45	829	865	926	951	941
50	715	752	825	857	852
55	602	637	719	758	756
60	499	527	614	656	651
65	398	422	509	534	519
70	302	329	400	397	374
75	214	239	284	258	233
80	136	151	168	136	119
85	65	71	67	51	46
90	0	0	0	0	0

REPORT NO: C12115  
 CAT. NO: QCE14GOLOP3940ULAG  
 Output: 3904 lumens at 4000K  
 Efficacy: 96.6 lm/W  
 Candela at Nadir: 1401cd

### COEFFICIENTS OF UTILIZATION

ZONAL CAVITY METHOD \* EFFECTIVE FLOOR CAVITY REFLECTANCE = .20

Room Cavity Ratio	80				70				50			
					Wall Reflectance							
	70	50	30	10	70	50	30	10	50	30	10	
0	1.19	1.19	1.19	1.19	1.16	1.16	1.16	1.16	1.11	1.11	1.11	
1	1.10	1.05	1.01	.98	1.07	1.03	.99	.96	.99	.96	.93	
2	1.01	.93	.87	.81	.98	.91	.85	.80	.87	.83	.78	
3	.92	.82	.75	.69	.90	.81	.74	.68	.78	.72	.67	
4	.85	.74	.66	.59	.83	.72	.65	.59	.70	.63	.58	
5	.78	.66	.57	.51	.76	.65	.57	.51	.63	.56	.50	
6	.72	.59	.51	.45	.70	.58	.50	.44	.56	.49	.44	
7	.66	.53	.44	.39	.65	.52	.44	.38	.51	.43	.38	
8	.61	.48	.40	.34	.60	.47	.39	.34	.46	.39	.34	
9	.57	.44	.36	.30	.56	.43	.35	.30	.42	.35	.30	
10	.53	.40	.32	.27	.52	.39	.32	.27	.38	.31	.26	

DETERMINED IN ACCORDANCE WITH CURRENT IES PUBLISHED PROCEDURES  
 LUMINAIRE INPUT WATTS = 40.4

### DISTRIBUTION

ZONE	LUMENS	%LUMINAIRE
0-30	1087	27.85
0-40	1770	45.35
0-60	3092	79.21
0-90	3904	100.00
40-90	2134	54.65
60-90	812	20.79
90-180	0	0.00

Catalogue Number	Delivered Lumens	Input Watts	Efficacy lm/W	8' x 8' avg fc	8' x 8' W/sq ft	8' x 10' avg fc	8' x 10' W/sq ft
QCE14GOLOP3240ULAG	3164	30.7	103.1	49.4	0.48	39.6	0.38
QCE14GOLOP3940ULAG	3904	40.4	96.6	61.0	0.63	48.8	0.51



Canlyte  
 3015 Louis-Amos, Lachine, Québec H8T 1C4  
 e: canlyte-info@philips.com  
 t: (514) 636-0670  
 w: www.canlyte.com  
 QCE14GOLOP July 18, 2012.  
 Specifications are subject to change without notice.  
 © Koninklijke Philips Electronics N.V., 2011. All rights reserved.

Job Information Type:

